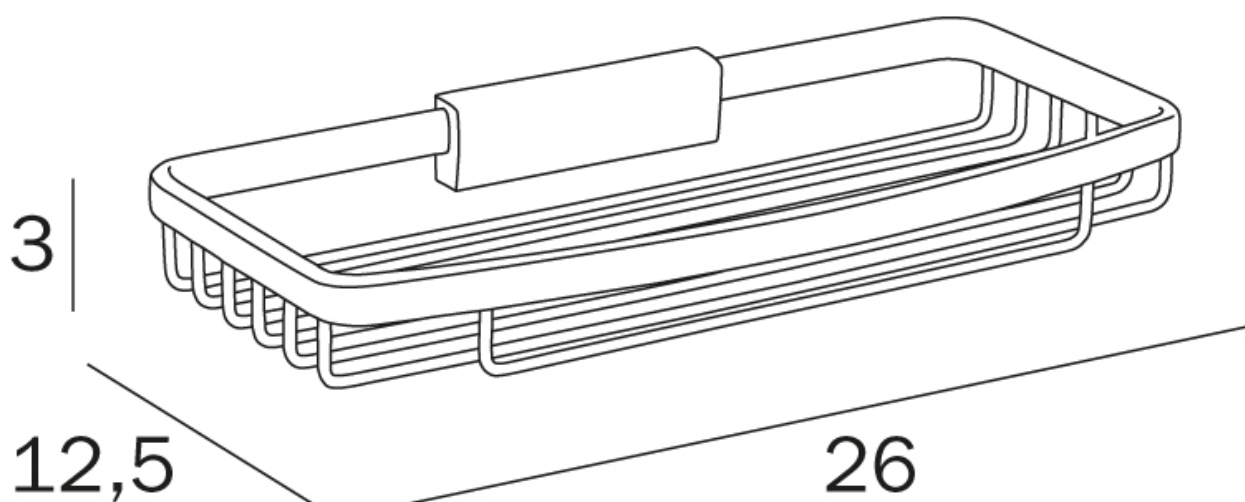


**HOTELLERIE**  
**SHALLOW REMOVABLE BASKET**  
(Chrome - AV151A)



Features:  
Easily removed for cleaning



Proudly imported and distributed by  
Gro Agencies Pty Ltd  
Unit 2 / 37 Howe St, Osborne Park, WA, 6017  
P 08 9446 3288 E [info@groagencies.com.au](mailto:info@groagencies.com.au) W [www.groagencies.com.au](http://www.groagencies.com.au)

